

VIRON QL CARTRIDGE FILTER

- ✓ A product of today's thinking & global challenges
- ✓ Reduced cleaning and maintenance
- ✓ Save up to 12,000 litres of water per year
- ✓ Reduced power consumption
- ✓ High strength long life filter tank
- ✓ Oil filled long life pressure gauge for accurate reading
- ✓ Choice of two outlet ports for simplified installation



VIRON QL CARTRIDGE FILTER



The Viron QL cartridge filter is engineered for outstanding reliability and performance for your swimming pool or spa. Viron's filtration system is finer than a sand or glass media filter, and reduces cleaning frequency saving precious time.



ECO FRIENDLY

With less plumbing and no backwash line, installing and maintaining your Viron filter is so simple, almost anyone in the family can do it. The Viron is designed to save between 8,000 and 20,000 litres of water each year, by only requiring once a year cleaning for most residential pools. Made for Australian conditions Viron doesn't need regular flushing like sand or glass media filters, which means you save the equivalent of 37 hours of shower time in water.



LOW MAINTENANCE

Viron's secret lies in its low maintenance. With the use of four state of the art filter elements, they have enormous capacity so they only require cleaning once a year. An inbuilt automatic air bleed system also reduces the manual air bleeding process simplifying your routine maintenance program.



QUALITY MATERIALS

The Viron QL420 and QL540 are made from quality components. The injection moulded design is made up of non-corrosive materials and provides ready access to all elements. Fine tolerance manufacturing increases the life and reduces ongoing maintenance.



FOR ALL POOLS

The Viron QL series of cartridge filters is available for 39m² or 50m² filter areas, making them suitable for residential or commercial pools or spas.

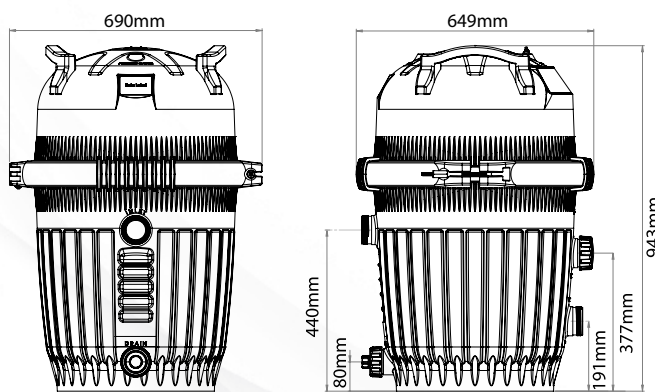


WARRANTY

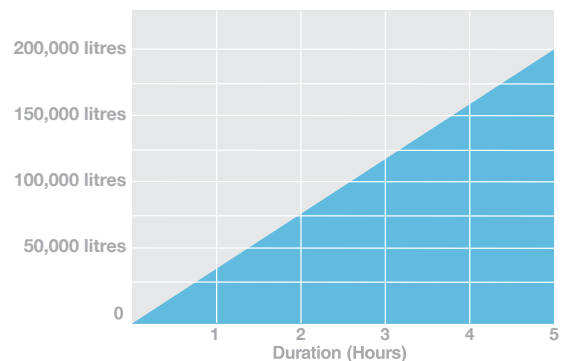
For warranty period, please refer to www.astralpool.com.au/warranty-information.



SPECIFICATIONS



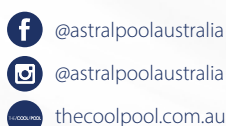
Turnover Capacity for Residential Pools



Model	Filter Area	Max Flow	Weight
Viron QL420	39 m ²	500 lpm	35 kg
Viron QL540	50 m ²	500 lpm	40 kg



www.astralpool.com.au
www.astralpool.co.nz



FLUIDRA